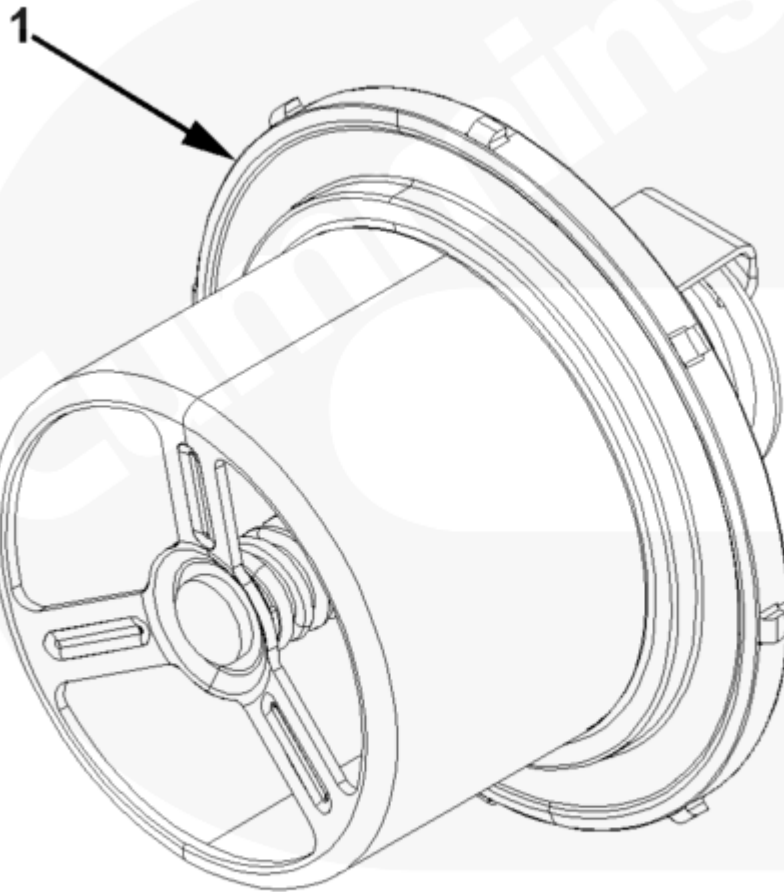




Parts Catalog - Option Detail

Electronic Parts Catalog - Option Detail				
Option	Group	Graphic	Film Card	Date
EC2701-03	08.07.2	ec200gw	II	04-FEB-13
Engines	ISM CM570, ISM CM570/870, ISM CM875, ISM CM876, ISM CM876 E, ISM11 CM876 M103, ISM11 CM876 SN, M11 CELECT, M11 CELECT PLUS, M11 MECHANICAL, QSM11 CM570, QSM11 CM876			

©Cummins Inc



ec200gw

[SMALL](#) | [MEDIUM](#) | [LARGE](#)

Cart	Ref No	Part Number	Part Description	Required	Remarks
View My Cart					
		EC2701-03	Thermostat		MR - THERMOSTAT...(More)

					Engine Family: M11
					Opening Temperature (C): 82
					C (179.6 F)
					Full Open Temperature (C):
					94 C (201.2 F)
					Venting Arrangement: Non-
					Vented
<input type="checkbox"/>	1	4318947	Thermostat	1	

© 2019 Cummins Inc., Box 3005, Columbus, IN 47202-3005 U.S.A.
 Terms of Use and Disclaimers | Recommended System Requirements
 Need Assistance? Please click on the Contact Us button in the top right corner of any page.